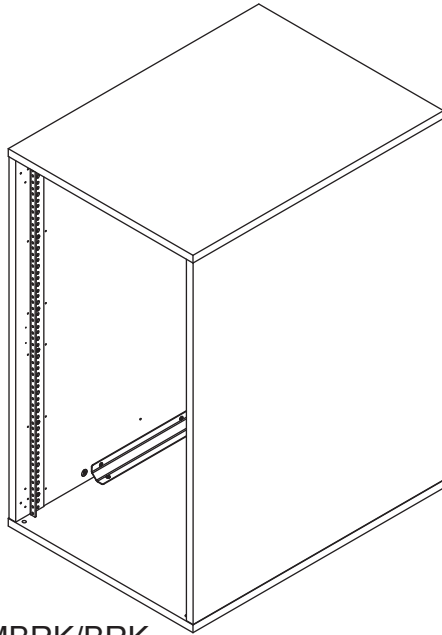
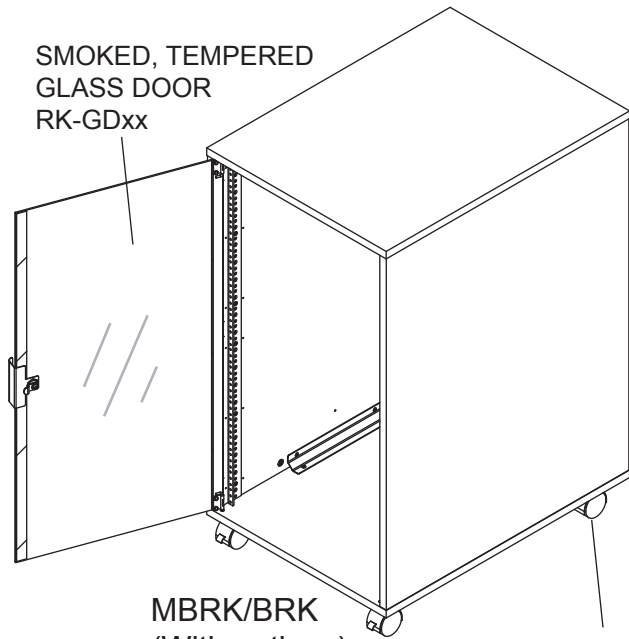


INSTRUCTION SHEET
MBRK/BRK SERIES
22" AND 28" DEEP LAMINATE RACK



MBRK/BRK
(Rack only)

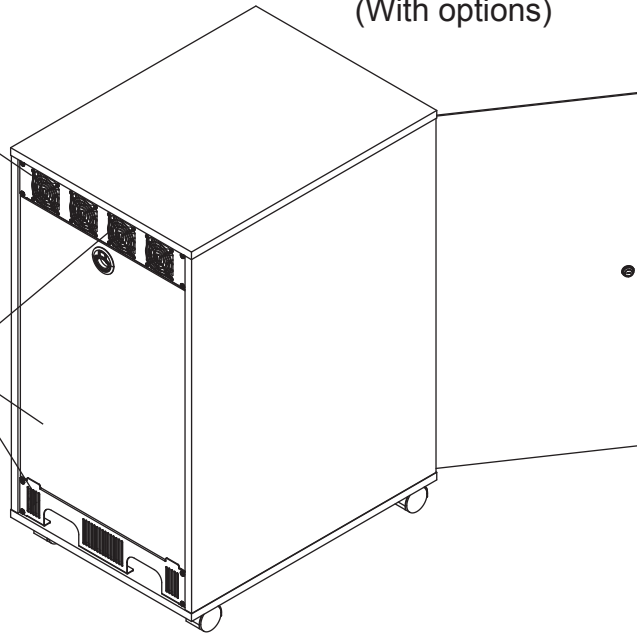


MBRK/BRK
(With options)

CASTER
RKW-HD

FAN KIT
(DCFANKIT-4)

REAR ACCESS
PANEL
(RK-RAPx)



THANK YOU

Thank you for purchasing the MBRK/BRK Series 22" and 28" Deep Laminate Rack. Please read these instructions thoroughly before assembling this product.

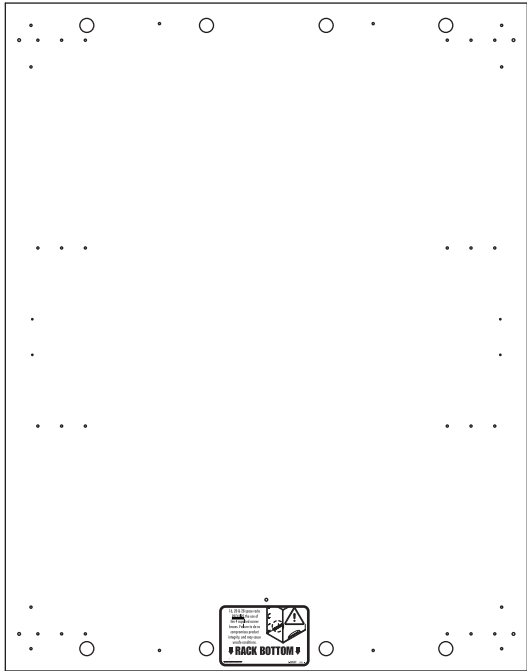
PRODUCT FEATURES

- Sturdy design
- Easy to assemble
- Multiple options are available for different configurations

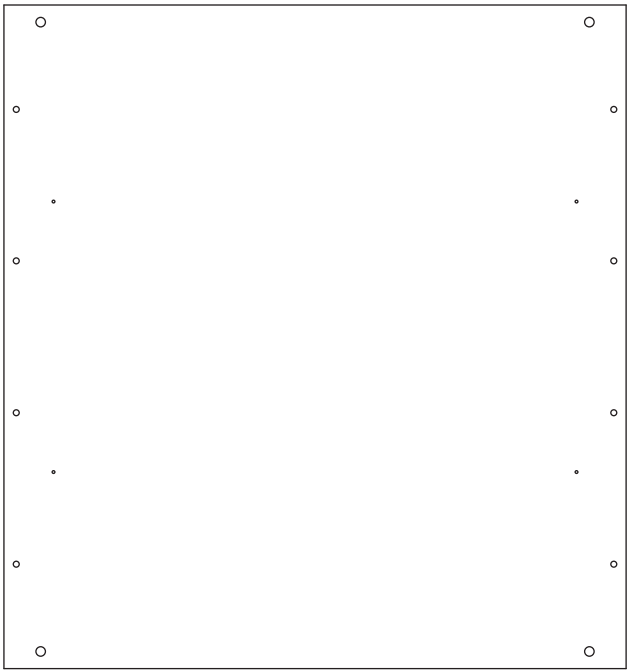
TOOLS REQUIRED

#2 Phillips screwdriver

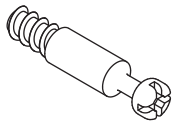
PARTS



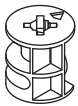
SIDE
(INTERCHANGEABLE)
(2)



TOP/BOTTOM
(INTERCHANGEABLE)
(2)



Bolt
(22" deep, Qty 16)
(28" deep, Qty 20)



1/2 turn fasteners
(22" deep, Qty 16)
(28" deep, Qty 20)



#8 x 3/4
Wood Screw
(32)



Rackrail
(4)



#10 x 5/8
Wood Screw
(6)



2 Space Rackrail
(2)



Corner Brace
(4)

NOTE: 2 Space Rails can be installed anywhere on side panels at rear of rack to provide a location to mount cable management products such as Lacer Bars Model # LBP-xx (See Page 9).

NOTE: 16 space and up racks require corner braces.

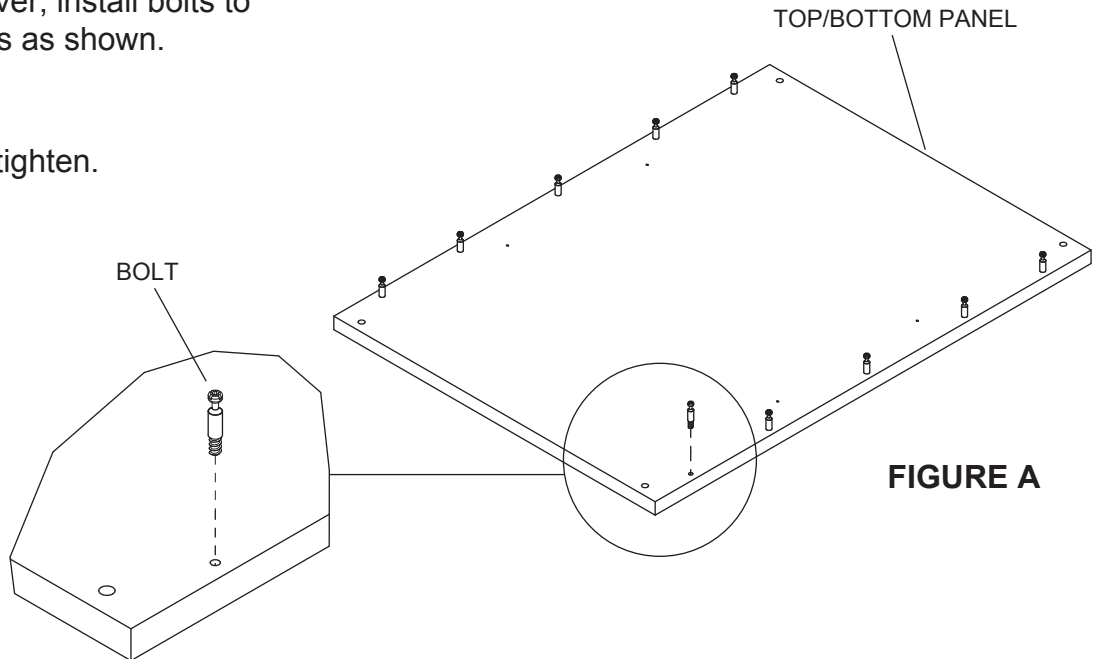
NOTE: Extra hardware may be included.

ASSEMBLY

NOTE: It is recommended that installation of rackrail and other options be completed after rack is assembled.

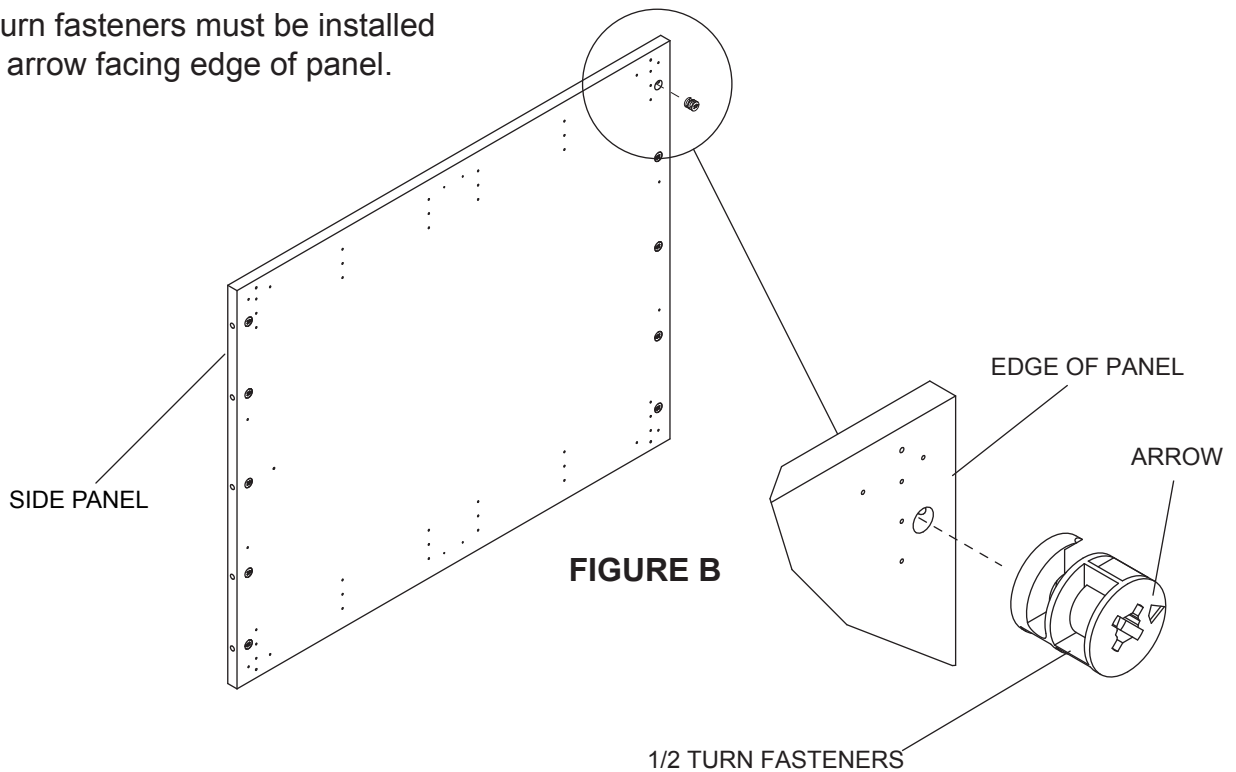
- 1) Using a screwdriver, install bolts to top/bottom panels as shown.
(See **FIGURE A**)

NOTE: Do not overtighten.



- 2) Install 1/2 turn fasteners to sides as shown.
(See **FIGURE B**)

NOTE: 1/2 turn fasteners must be installed with arrow facing edge of panel.



ASSEMBLY (Continued)

- 3) For ease of assembly, install one side panel and one top/bottom panel as shown. (See **FIGURE C**)
Turn 1/2 turn fasteners clockwise to tighten.

NOTE: Do not overtighten.

NOTE: Labels on side panels indicate bottom of panels. Ensure side panel labels face in the same direction.

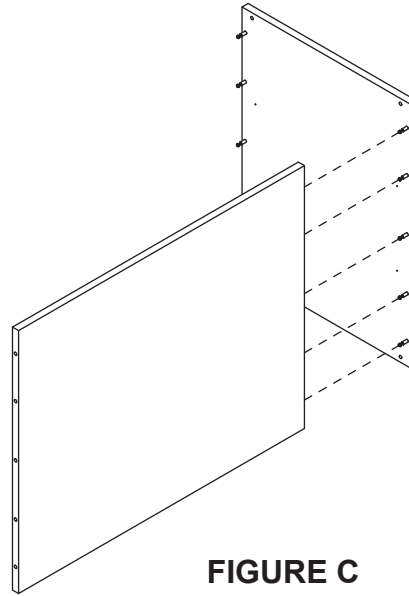


FIGURE C

- 4) Assemble rest of rack as shown. (See **FIGURE D**)
Turn 1/2 turn fasteners clockwise to tighten.

NOTE: Do not overtighten.

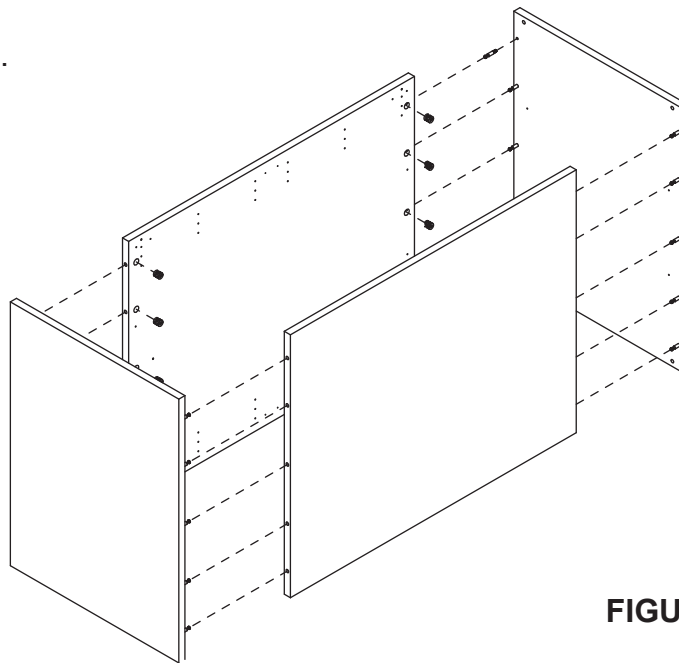


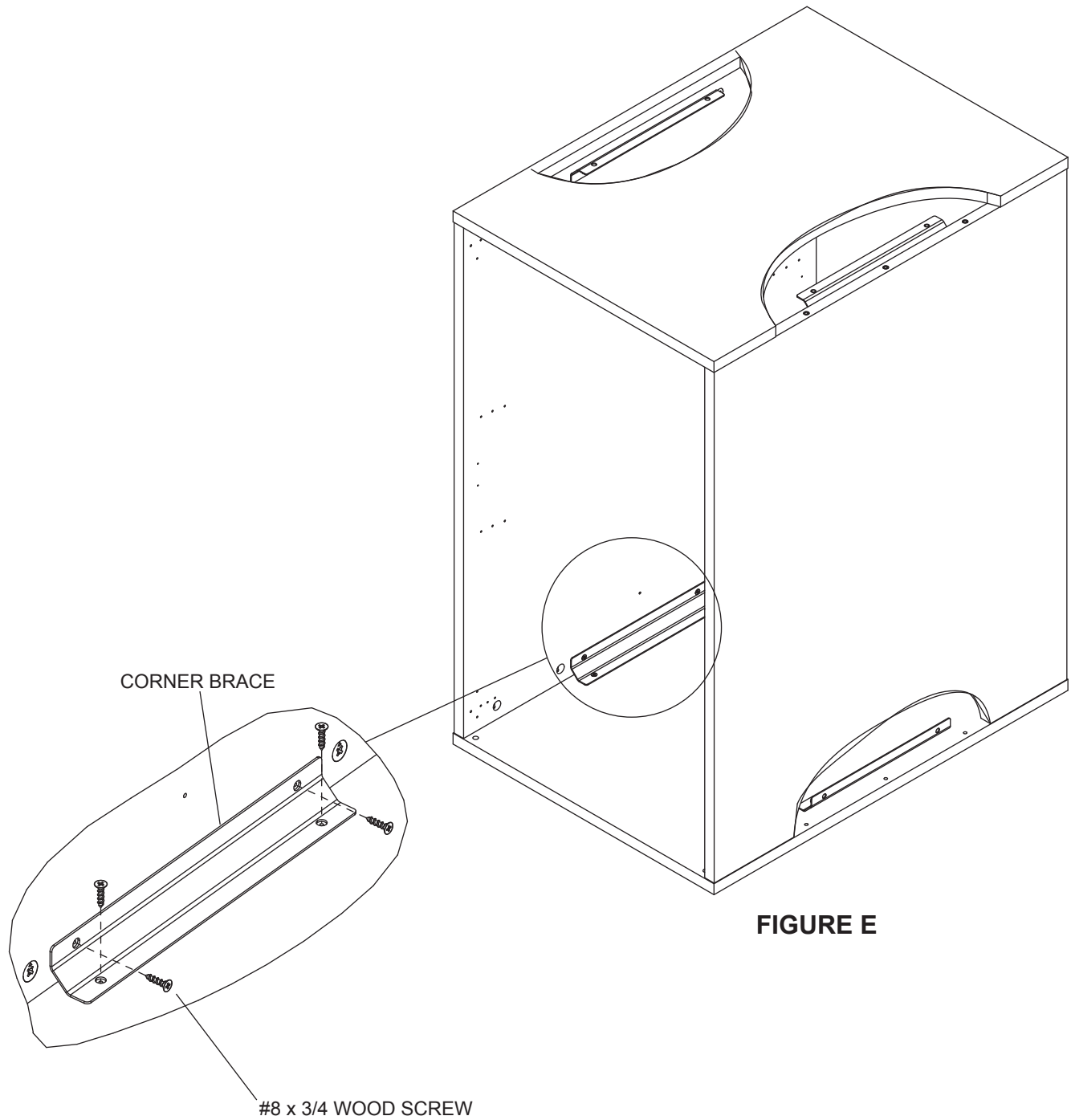
FIGURE D

ASSEMBLY (Continued)

- 5) Stand rack upright and install corner braces (4 places) into pre-drilled holes as shown (See **FIGURE E**) using the 8 x 3/4" wood screws provided.

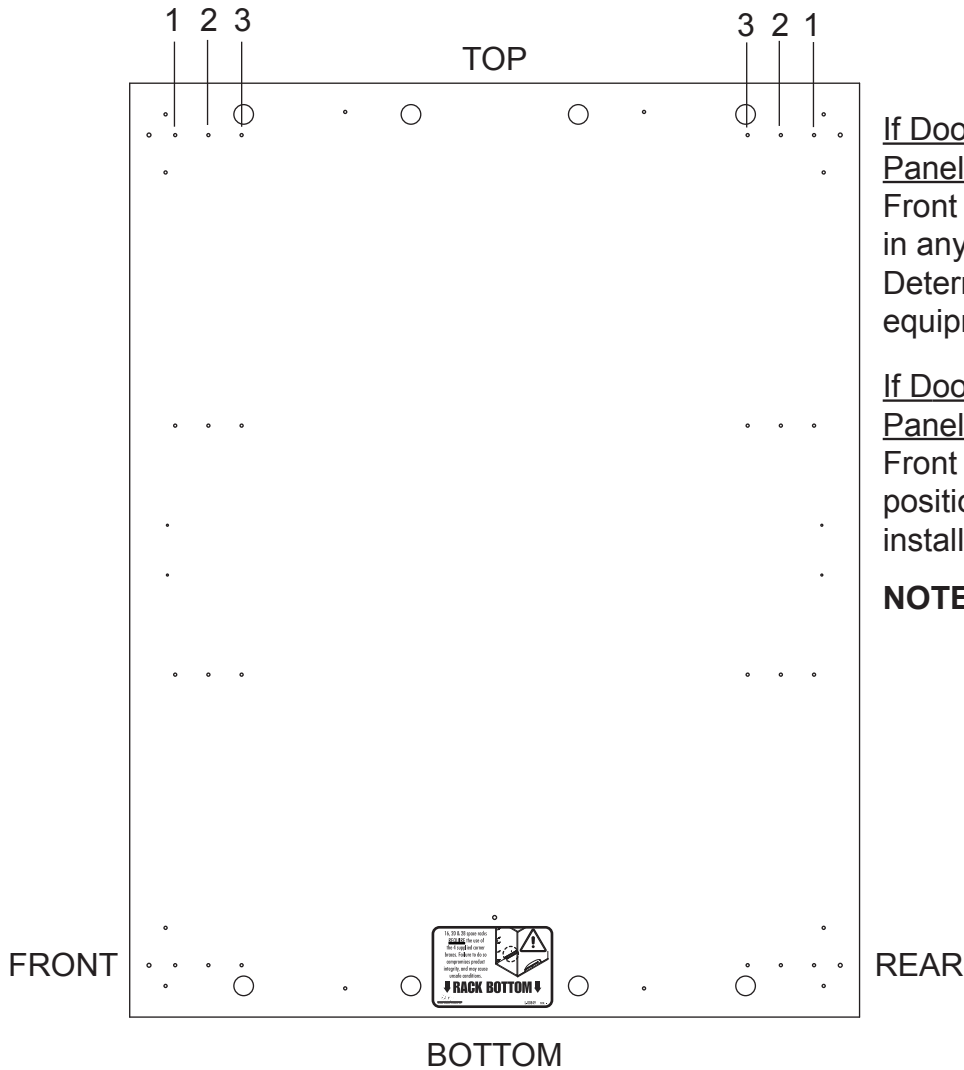


WARNING: Corner Braces must be used on 16 space and up racks





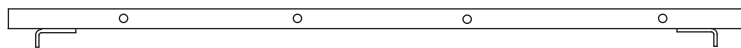
DETERMINE YOUR OPTIONS BEFORE INSTALLING RACKRAILS.



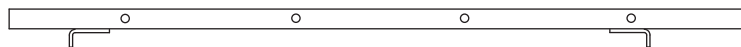
If Door (RK-GDxx) and Rear Access Panel (RK-RAPx) are not being used.
 Front and rear rackrail can be installed in any one of 3 positions. (See **FIGURE F**)
 Determine location by preference and equipment being installed.

If Door (RK-GDxx) and Rear Access Panel (RK-RAPx) are being used.
 Front rackrail is to be installed in position 2 and rear rackrail is to be installed in position 3. (See **FIGURE F**)

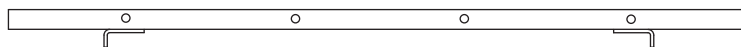
NOTE: If more clearance is required in front of rack (i.e. knobs, handles) move the front rackrail to position 3. (See **FIGURE F**)



(Top view showing front rackrail and rear rackrail installed in position 1)



(Top view showing front rackrail installed in position 2, and rear rackrail installed in position 3)



(Top view showing front rackrail and rear rackrail installed in position 3)

FIGURE F

ASSEMBLY (Continued)

6) Install rackrail as shown (See **FIGURE G**) using the 8 x 3/4" wood screws provided.

NOTE: Use all pre-drilled holes provided.
(Quantity of pre-drilled holes varies with rack height)

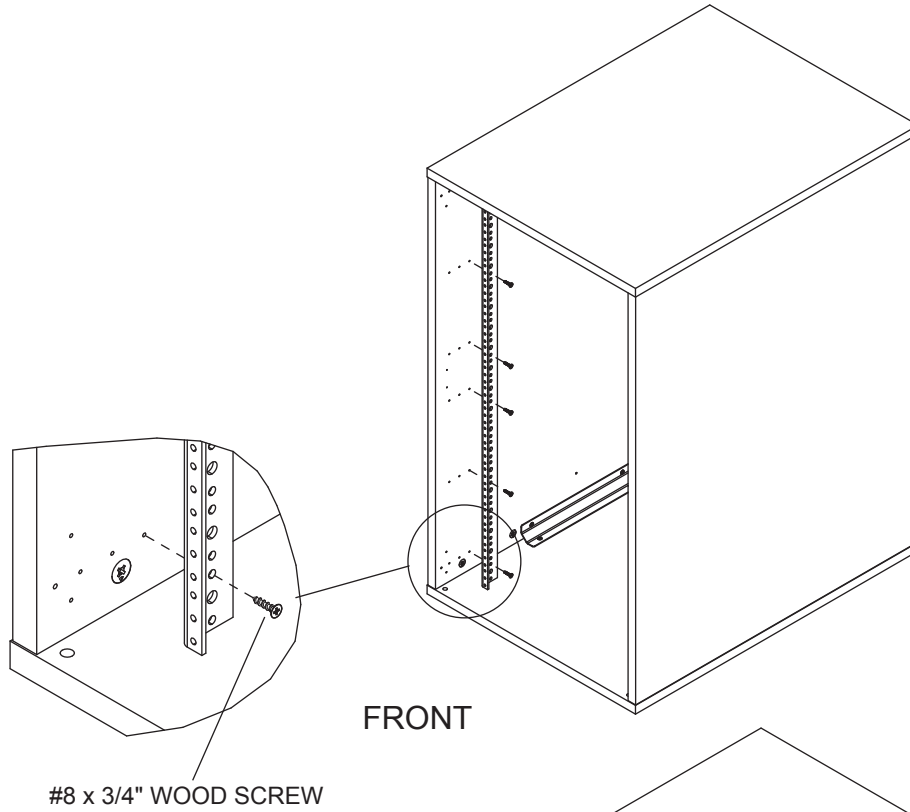
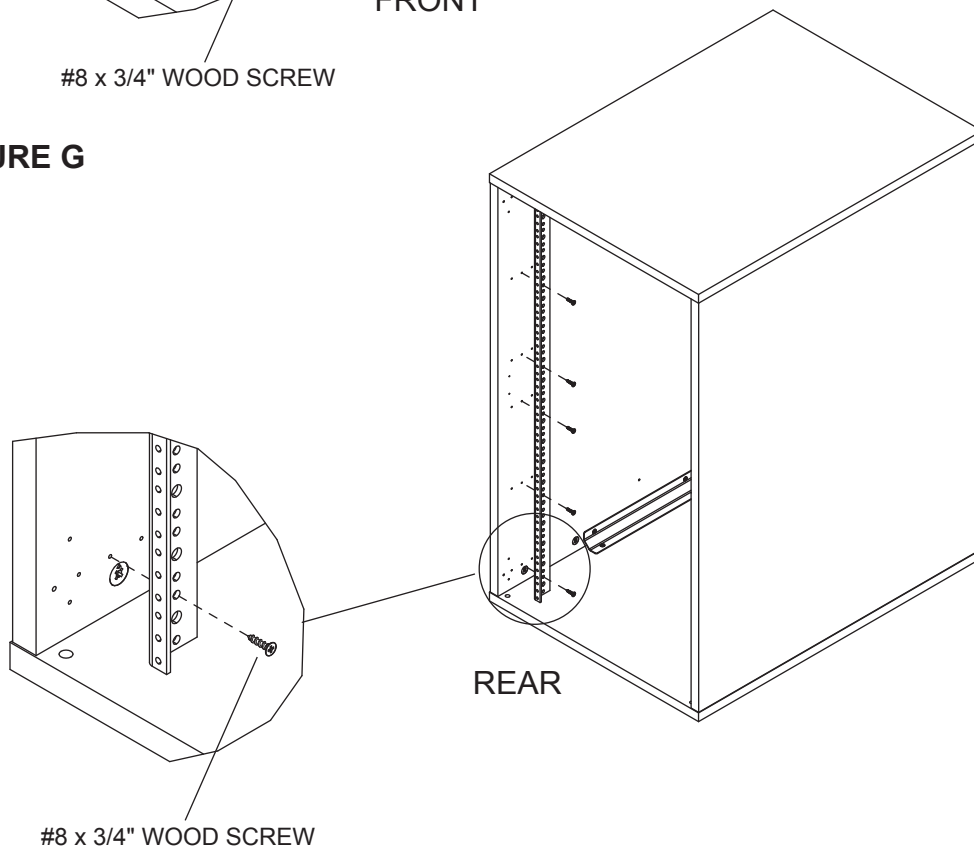
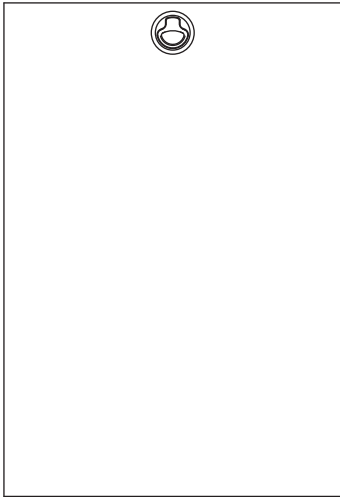


FIGURE G

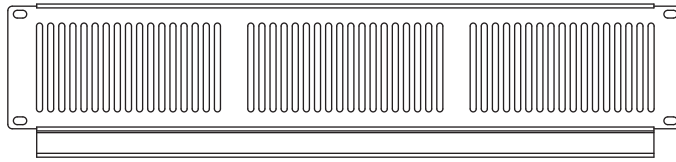


OPTIONS

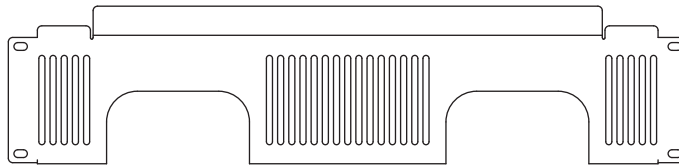
- 1) Rear Access Panel (RK-RAPx) for equipment protection, thermal and cable management.



Rear Access Panel
(1)

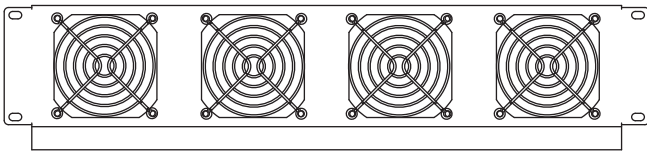


Top Panel
(1)

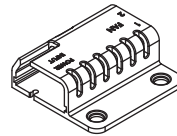


Cable Management Bottom Panel
(1)

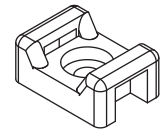
- 2) Fan Kit (DCFANKIT-4) provides optimum thermal management. (Use of Rear Access Panel required)



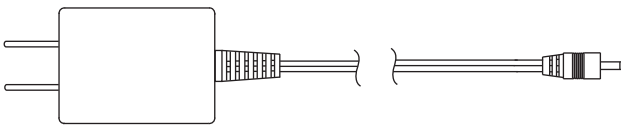
Fan Panel
(1)



In Line Thermostatic Controller
(1)

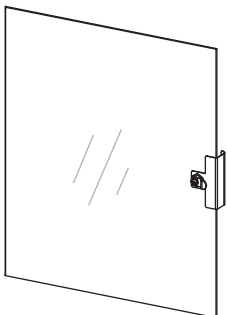


Cable Tie Mount
(5)



Power Supply
(1)

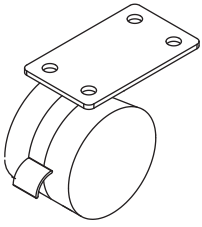
- 3) Smoked tempered glass door (RK-GDxx) secures components and enhances appearance.



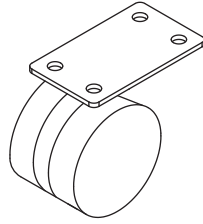
Door
(1)

OPTIONS (Continued)

4) Heavy Duty Casters (RKW-HD) for 22" and 28" deep racks.

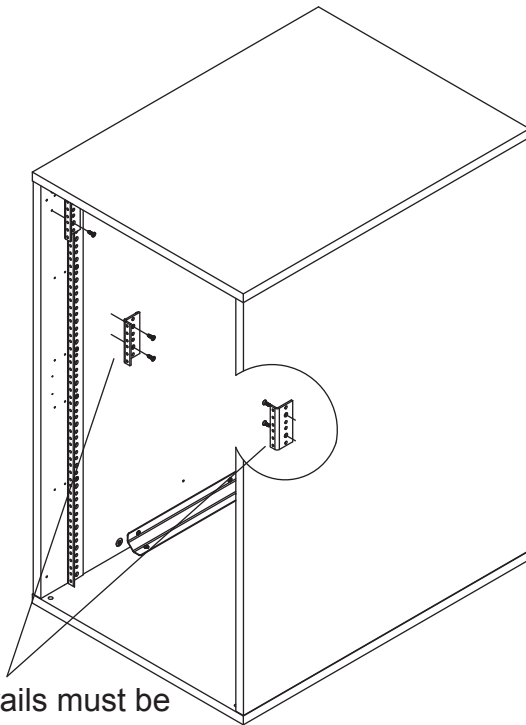


Locking Casters
(2)



Non-Locking Casters
(2)

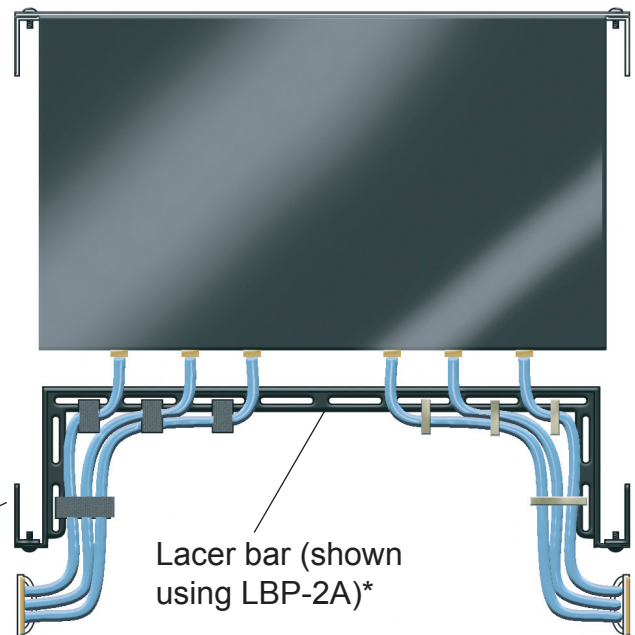
TIP: Using the 2 Space Rackrail and screws provided, you can mount any of our horizontal lacer bars (optional) behind a component (for example) to facilitate cable management, providing for a neater and easier installation to service.



2 Space rackrails must be mounted parallel vertically and horizontally anywhere on the side panels in the rear of the rack.

2 Space rackrail
(comes with rack)

CABLE MANAGEMENT EXAMPLE



Lacer bar (shown
using LBP-2A)*

*You can use any of our optional horizontal lacer bars: LBP-1R, LBP-1S, LBP-1A, LBP-2A, 4A, 6A, LBP-1.5, LBP-1R4

WARRANTY

Middle Atlantic Products (the "Company") warrants the MBRK/BRK Series 22" and 28" Deep Laminate Rack to be free from defects in material or workmanship under normal use and conditions for a period of (7) seven years from date of shipment by the Company.

The Company's entire liability to the purchaser, and the purchaser's (or any other party's) sole and exclusive remedy, under this warranty shall be limited, at the Company's option, to either (a) return of and refund of the price paid for, or (b) repair or replacement at the Company's factory of the products purchased, or any part or parts thereof, which the Company has determined to be defective after inspection thereof at the Company's factory.

This warranty does not cover damage due to acts of God, accident, misuse, abuse or negligence by parties other than the Company, or any modification or alteration of the products. In addition, this warranty does not cover damage due to improper handling, assembly, installation or maintenance.

THIS WARRANTY IS IN LIEU OF ALL OTHER WARRANTIES OF ANY KIND, EITHER EXPRESSED OR IMPLIED, INCLUDING, BUT NOT LIMITED TO, IMPLIED WARRANTIES OF MERCHANTABILITY AND FITNESS FOR A PARTICULAR PURPOSE.

TO THE MAXIMUM EXTENT PERMITTED BY APPLICABLE LAW, IN NO EVENT SHALL THE COMPANY BE LIABLE FOR ANY SPECIAL, INCIDENTAL, INDIRECT, OR CONSEQUENTIAL DAMAGES WHATSOEVER (INCLUDING, WITHOUT LIMITATION, DAMAGES FOR LOSS OF BUSINESS PROFITS, BUSINESS INTERRUPTION OR ANY OTHER PECUNIARY LOSS) ARISING OUT OF THE USE OF THE PRODUCTS PURCHASED, EVEN IF THE COMPANY HAS BEEN ADVISED OF THE POSSIBILITY OF SUCH DAMAGES. THE COMPANY'S LIABILITY TO THE PURCHASER (OR ANY OTHER PARTY) HEREUNDER, IF ANY, SHALL IN NO EVENT EXCEED THE PURCHASE PRICE OF THE PRODUCTS PAID TO THE COMPANY.

Corporate Headquarters

Corporate Voice 973-839-1011 - Fax 973-839-1976
International Voice +1 973-839-8821 - Fax +1 973-839-4982
middleatlantic.com - info@middleatlantic.com

Middle Atlantic Canada

Voice 613-836-2501 - Fax 613-836-2690
middleatlantic.ca - customerservicecanada@middleatlantic.ca

Factory Distribution

USA: NJ - CA - IL Canada: ON - BC

At Middle Atlantic Products we are always listening. Your comments are welcome.

Middle Atlantic Products is an ISO 9001 and ISO 14001 Registered Company.

